

COLUMN BASE TYPE D ON CONCRETE HEIGHT-ADJUSTABLE WITH PIN 24 x 120



Art. No.	Dimensions [mm]			Mounting plate [mm]			Baseplate [mm]						EAN	Weight	PU
	Pin	D	Ø 11	Ø	Ø 11		L	x	W	x	D	Ø 13			
19823130	Ø 24x120	Ø 48.3x140-210	1	100	4		180	x	100	x	6	4	4019346	kg	
19823180	Ø 24x120	Ø 48.3x190-260	1	100	4		180	x	100	x	6	4	510087	2.520	10
19823230	Ø 24x120	Ø 48.3x240-310	1	100	4		180	x	100	x	6	4	510094	2.690	10
19823280	Ø 24x120	Ø 48.3x290-360	1	100	4		180	x	100	x	6	4	510100	2.870	10
													510117	3.060	10

Surface: Hot-dip galvanised, height-adjustable when installed, via thread M 24 up to 70 mm, preassembly of the mounting plate with pin possible

Fixing with:

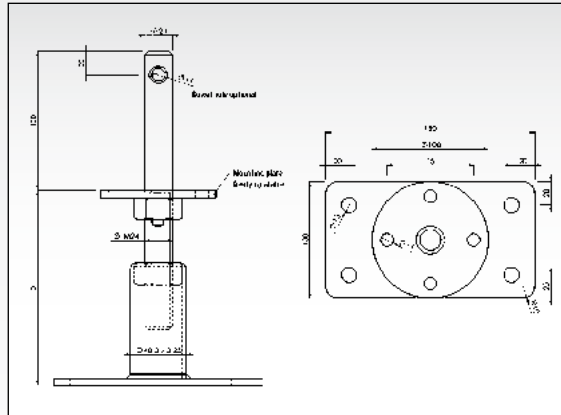
GH dowel Ø 10.0 mm (see page 91)

TOP-FIX DU0 screw (see page 109)

***Structural calculation example**

Art. No.	Post [mm]		Pressure $F_{1,Rk}$	Tension $F_{t,Rk}$	$F_{2/3,Rk}$	$F_{4/5,Rk}$
	min w	min h				
			Steel [kN]			
19823130	120	120	95.5	6.66	2.01	1.55
19823180	120	120	95.5	6.66	1.63	1.25
19823230	120	120	95.5	6.66	1.36	1.05
19823280	120	120	95.5	6.66	1.18	0.90

4 screws Ø 10 x 120 (load case $F_{1,t}$: + 1 dowel Ø 10)



COLUMN BASES TYPE D ON CONCRETE, HEIGHT-ADJUSTABLE WITH PIN 40 x 120 especially for tenoning machines



Art. No.	Dimensions [mm]			Mounting plate [mm]			Baseplate [mm]						EAN	Weight	PU
	Pin	D	Ø 11	Ø	Ø 11		L	x	W	x	D	Ø 13			
19823134	Ø 40x120	Ø 48.3x140-210	1	100	4		180	x	100	x	6	4	4019346	kg	
19823184	Ø 40x120	Ø 48.3x190-260	1	100	4		180	x	100	x	6	4	501214	3.270	5
19823234	Ø 40x120	Ø 48.3x240-310	1	100	4		180	x	100	x	6	4	501252	3.440	5
19823284	Ø 40x120	Ø 48.3x290-360	1	100	4		180	x	100	x	6	4	501269	3.700	5
													011911	3.900	5

Surface: hot-dip galvanised

Fixing with:

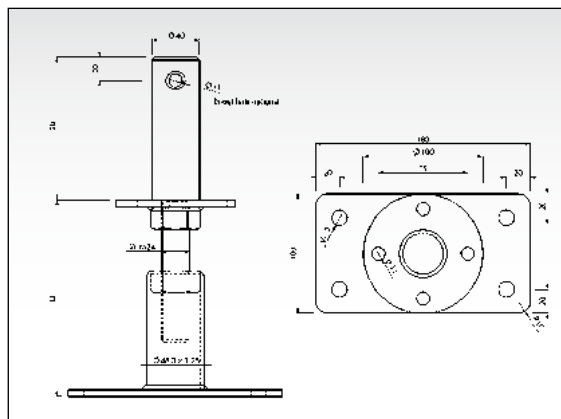
GH dowel Ø 10.0 mm (see page 91)

TOP-FIX DU0 screw (see page 109)

***Structural calculation example**

Art. No.	Post [mm]		Pressure $F_{1,Rk}$	Tension $F_{t,Rk}$	$F_{2/3,Rk}$	$F_{4/5,Rk}$
	min w	min h				
			Steel [kN]			
19823134	120	120	67.9	6.66	2.01	1.55
19823184	120	120	67.9	6.66	1.63	1.25
19823234	120	120	67.9	6.66	1.36	1.05
19823284	120	120	67.9	6.66	1.18	0.90

4 screws Ø 10 x 120



DRILLING TEMPLATE TYPE D (FOR PIN 24 x 120)

Art. No.	Description	EAN	Weight	PU
		4019346	kg	
33000116	For column bases Type D 19823130 to 19823280 and 19821540 – 19820220	000717	1.550	1



*The load bearing capacities are only indicative. Detailed structural information is provided on our website at: www.holzverbinder.de