

**COLUMN BASE TYPE PB ON CONCRETE, HEIGHT-ADJUSTABLE**



Art. No.	Dimensions [mm]		Mounting plate [mm]		Baseplate [mm]					EAN	Weight	PU			
	∅	D	A	x	A	∅	L	x	W				x	D	∅ 11
19823161	M16	100	70	x	70	2x5.0	100	x	100	x	6	4	4019346	kg	
19823201	M20	100	80	x	80	4x11.0	100	x	100	x	6	4	510902	0.860	20
19823202	M20	200	80	x	80	4x11.0	100	x	100	x	6	4	510919	1.080	20
													510926	1.300	10

Surface: hot-dip galvanised

Height-adjustable in the installed condition  
Mounting plate can be preassembled.

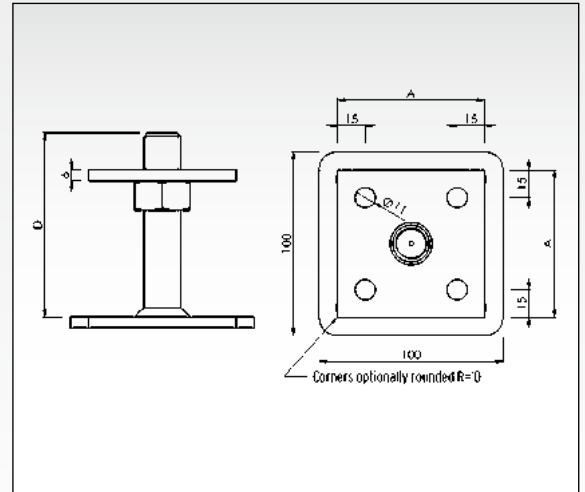
Fixing with:  
TOP-FIX DU0 screw (see page 109)

**\*Structural calculation example**



Art. No.	Post [mm]		Pressure $F_{1,Rk}$	Tension $F_{1,Rk}$	$F_{2/3,Rk}$	$F_{4/5,Rk}$
	min w	min h				
19823161	90	90	30.8	-	-	-
2 screws ∅ 4 x 60						
19823201	100	100	54.4	-	2.83	2.83
19823202	100	100	30.0	-	1.37	1.37

4 screws ∅ 10 x 120



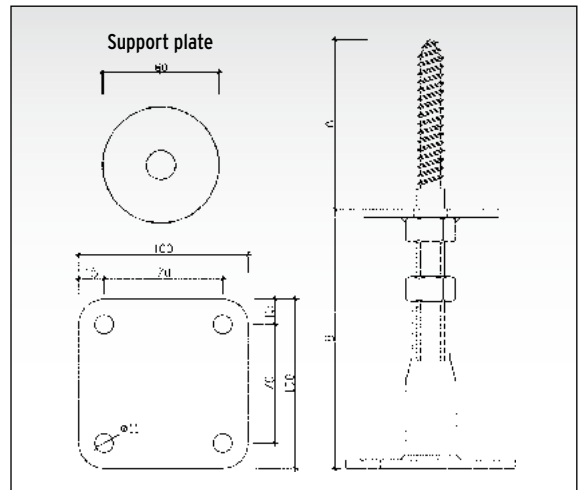
**FIX COLUMN BASE ON CONCRETE, HEIGHT-ADJUSTABLE**



Art. No.	Dimensions [mm]		Mounting plate [mm]	Baseplate [mm]					EAN	Weight	PU	
	Pin	D		∅	L	x	W	x				D
19523110	16x90	130-170	80	100	x	100	x	5	4	4019346	kg	
										165508	1.050	10

Surface: galvanised

In installed condition, height adjustable from 130 – 170 mm



Type PB / fixed column base



\*The load bearing capacities are only indicative. Detailed structural information is provided on our website at: [www.holzverbinder.de](http://www.holzverbinder.de)